

ALFRESCO SHADE

QUALITY FABRIC STRUCTURES

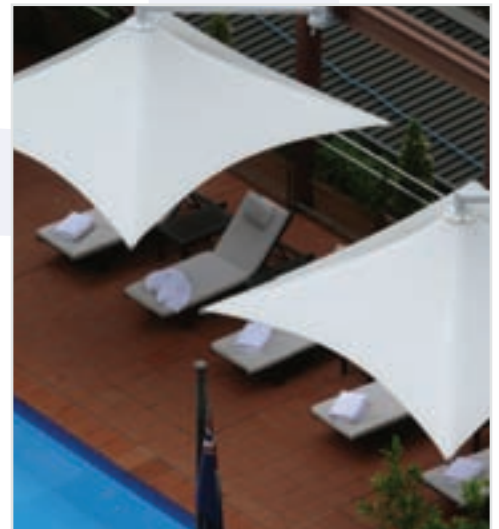
LIFESTYLE UMBRELLAS



ALFRESCO LIVING

Lifestyle Umbrellas are a stylish shade solution, which truly enhance any outdoor living area. This fully adjustable lifestyle solution is alfresco living at its best. Elegant, and Reliable, with proven manufacturing methods means we guarantee to provide you with an aesthetic weather solution that will stay in style and last year after year.

Our Australian Made umbrellas have a 360 degree range, are retractable, and increase external outdoor space, whilst blending into any environment. With in house design, fabrication, industry knowledge and awards, your investment is truly a must have in outdoor living.



1300 798 700 | www.alfrescoshade.com.au

PO BOX 229 CHERRYBROOK NSW 2126 | sales@alfrescoshade.com.au

ALFRESCO SHADE IS THE COMMERCIAL ENTITY OF AMAC HOLDINGS PTY LTD ABN 79 085 020 944

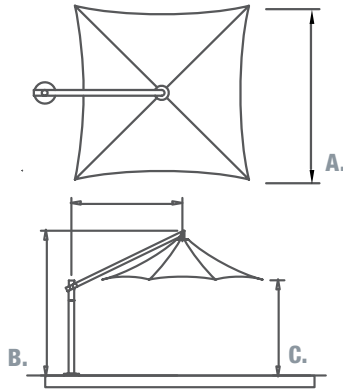


LIFESTYLE | ALFRESCO LIVING

LIFESTYLE UMBRELLA



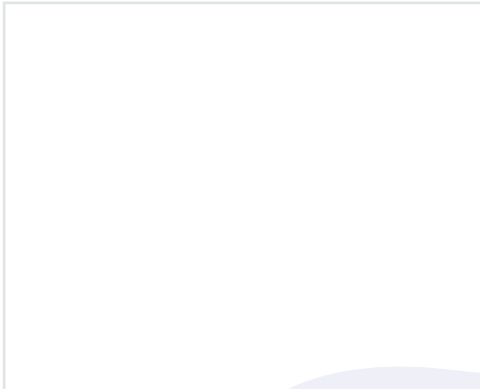
SQUARE



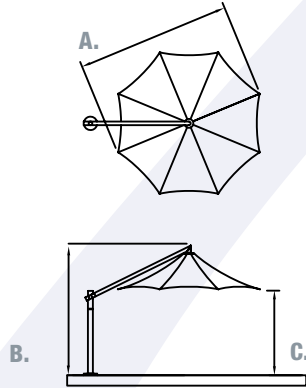
METRIC	Lifestyle 3.0S	Lifestyle 3.7S	Lifestyle 4.3S
A. Width	3050mm	3660mm	4220mm
B. Height	3300mm	3300mm	3600mm
C. Clearance	2200mm	2200mm	2200mm

IMPERIAL	Lifestyle 14S	Lifestyle 17S	Lifestyle 20S
A. Width	14'	17'	20'
B. OA Height	11'	11'	12'
C. Clearance	7'	7'	7'

LIFESTYLE UMBRELLA



ROUND



METRIC	Lifestyle 4.3R	Lifestyle 5.1R	Lifestyle 6.0R
A. Width	4313	5176	6039
B. Height	3300	3300	3600
C. Clearance	2200	2200	2200

IMPERIAL	Lifestyle 140	Lifestyle 170	Lifestyle 200
A. Width	14'	17'	20'
B. OA Height	11'	11'	12'
C. Clearance	7'	7'	7'

LIFESTYLE MODELS

LIFESTYLE RECRATABLE

FEATURES

ROTATES UP TO 360°
 SELF CLEANING WHITE SKIN
 METALLIC ULTRA SILVER FRAME
 WATERPROOF
 UV PROOF
 LIMITED WIND RATING
 BOLTED TO FOUNDATIONS
 DELIVERED ASSEMBLED
 QUICK AND EASY TO INSTALL

ACCESSORIES

CLEAR CAFÉ BLINDS
 SOLTIS 92 BLINDS
 FRAMED CURTAIN EXTRUSIONS
 LIGHTS 150 WATT HALOGEN
 HEATERS
 SPEAKERS

SPECIFICATIONS

ENGINEERED

Australian Standards

COVER HARDWARE

Stainless Steel M316

ARM ASSEMBLIES

Alloy Extrusions

HOLD DOWN BOLTS

Galvanized Steel

CENTRAL MAST

Galvanized Steel

FABRIC

PVC Self Cleaning

FRAME FINISH

Ultra Silver

DOME CAPS

Spun Alloy

FOUNDATIONS

Reinforced Concrete

FIXINGS

Stainless Steel G316

EDGE CABLE

Stainless Steel G316

1300 798 700 | www.alfrescoshade.com.au

PO BOX 229 CHERRYBROOK NSW 2126 | sales@alfrescoshade.com.au

ALFRESCO SHADE IS THE COMMERCIAL ENTITY OF AMAC HOLDINGS PTY LTD ABN 79 085 020 944